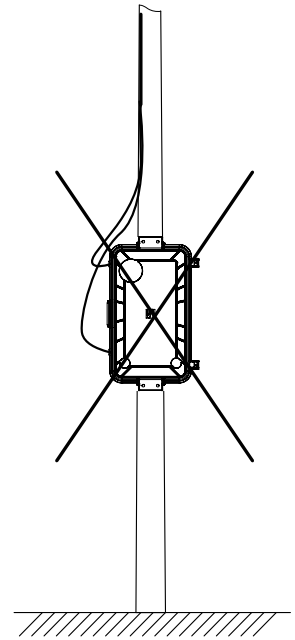
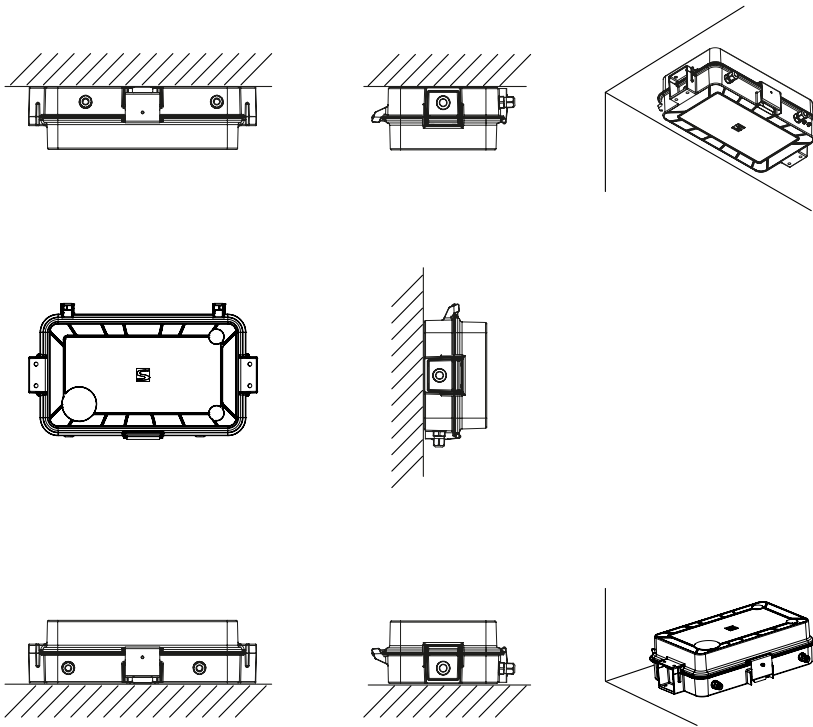


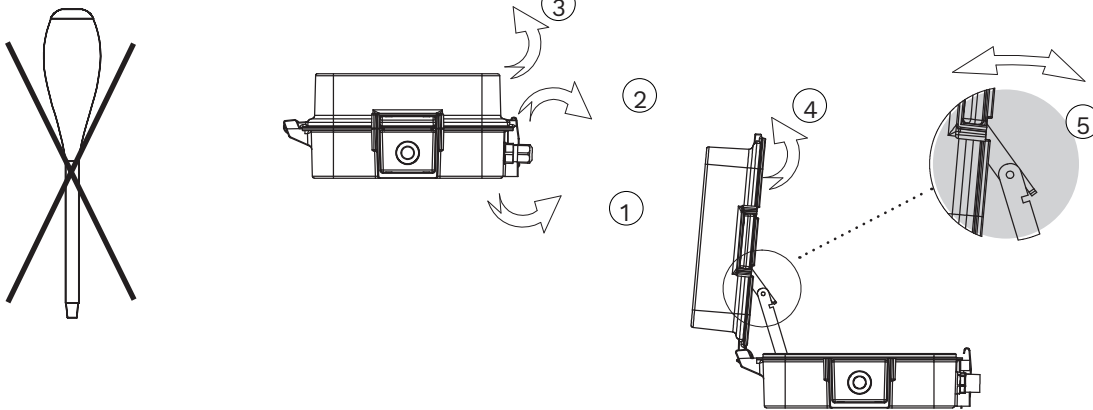


OK

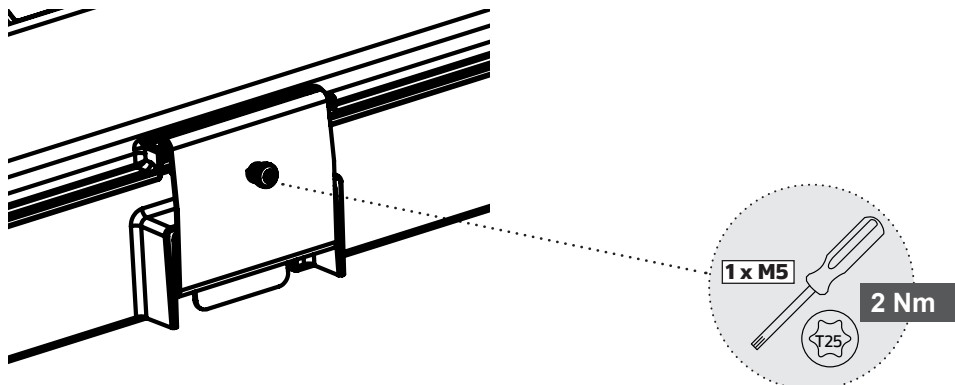
NOT
OK



1a



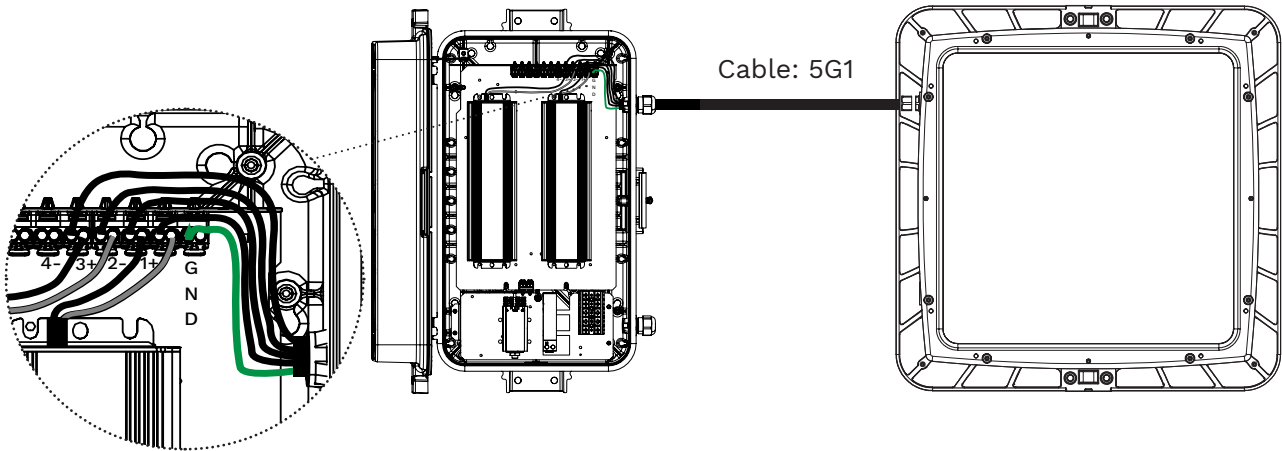
1b



2 With Omnistar OB - No connector

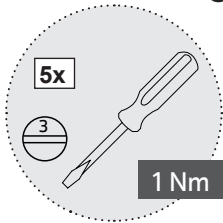


Connect optical block first!

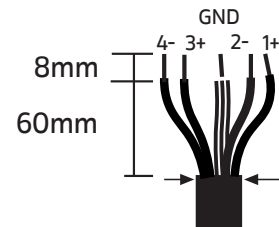
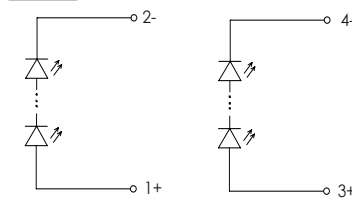


a

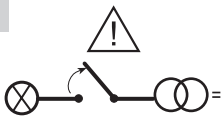
SL3



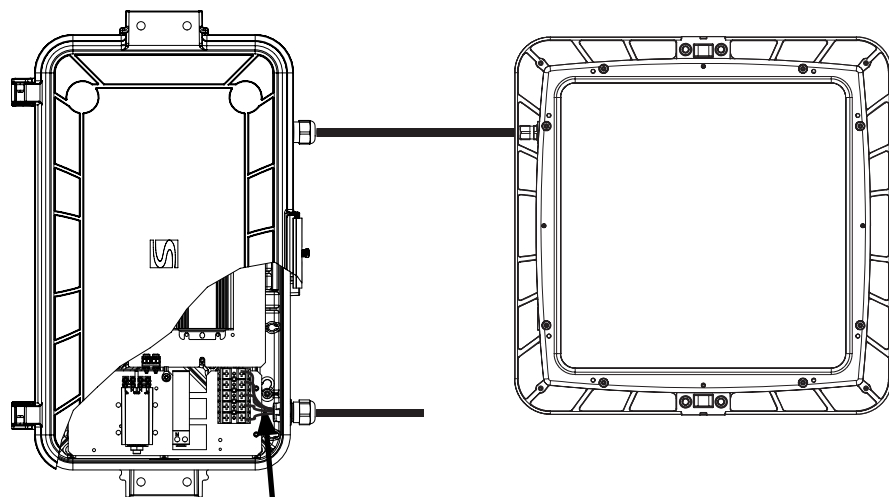
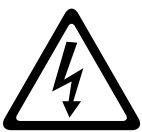
b



3

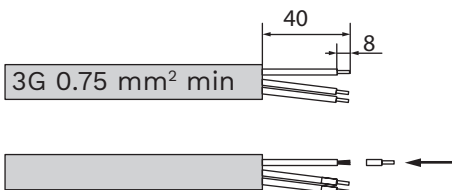


Connect mains only after optical block!



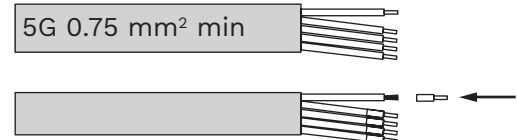
Mains cable without dimming option

Cable diameter
ø 7-13

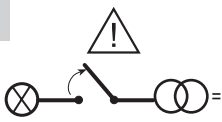


Mains cable with dimming option:
1-10V or DALI

Cable diameter
ø 7-13



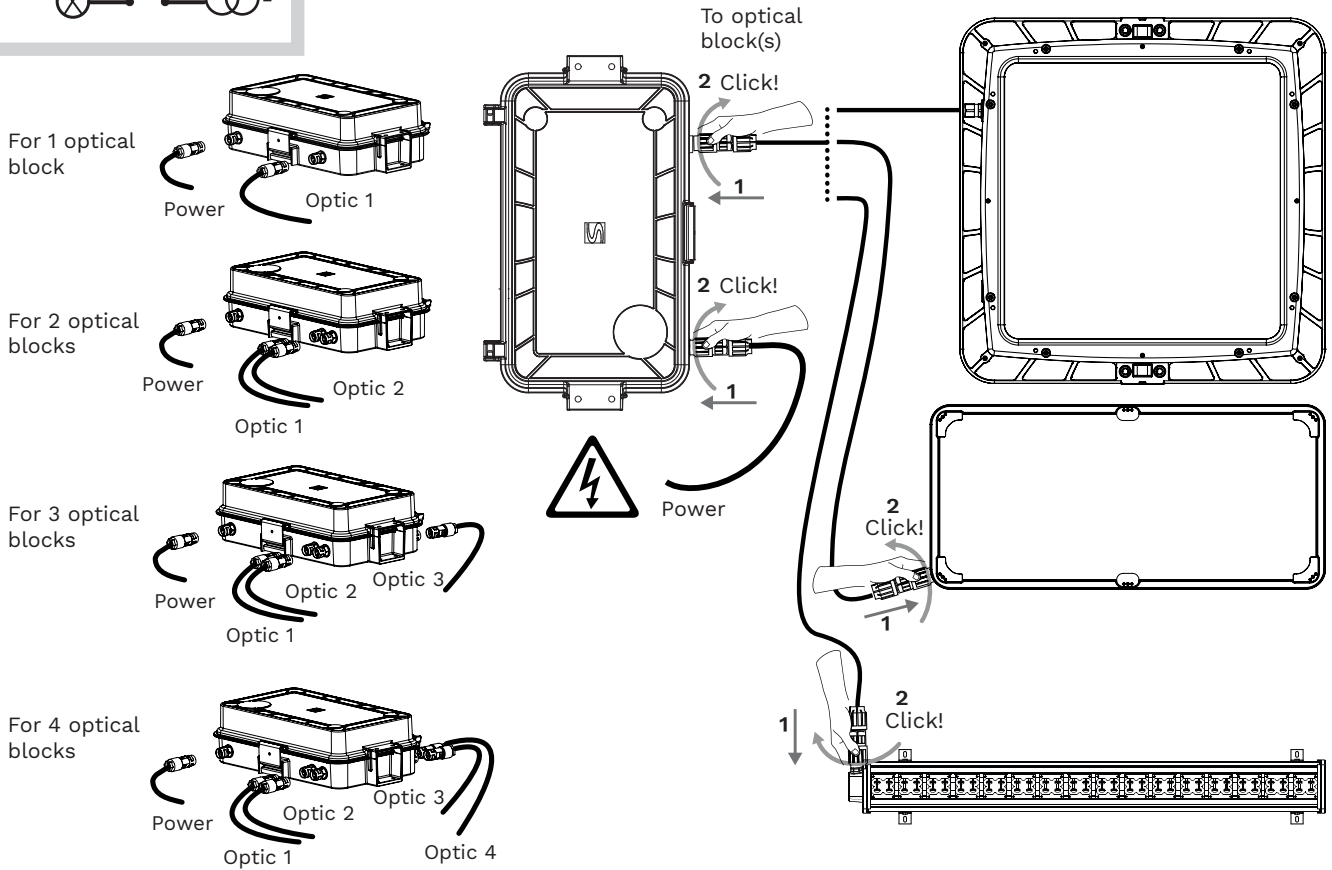
4



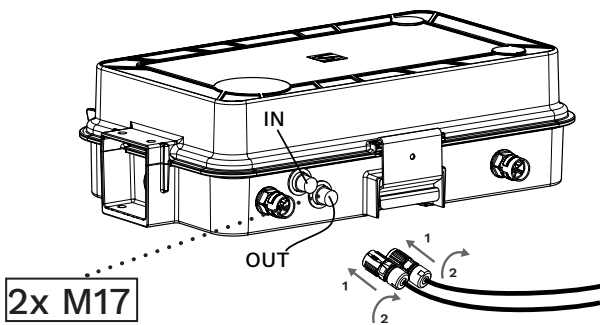
With connector



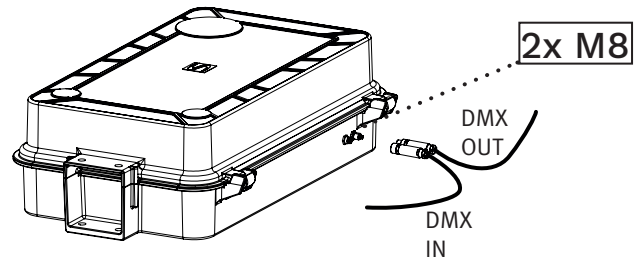
No tools allowed!



a Interbus (Lumgate only)

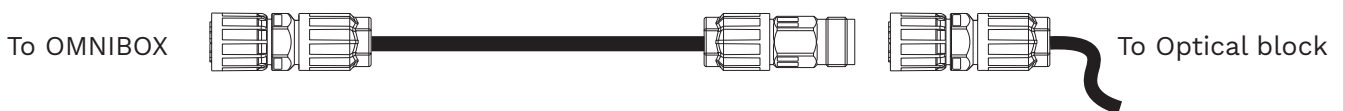


b DMX only

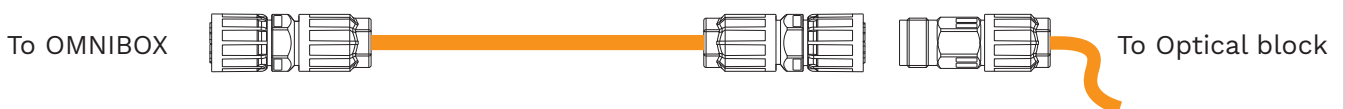


c Extension cables

Standard cable - 3 or 5 cores

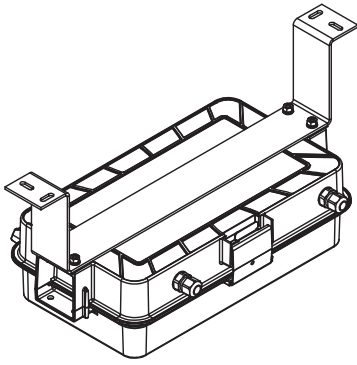


Fire retardant/resistant cable - 3 or 5 cores

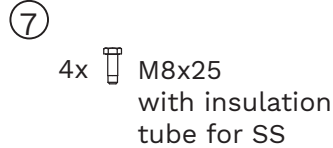
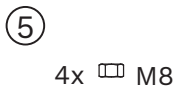
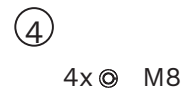
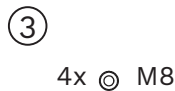
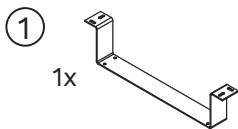
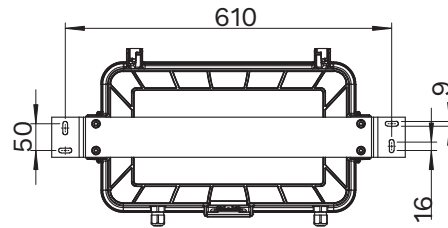
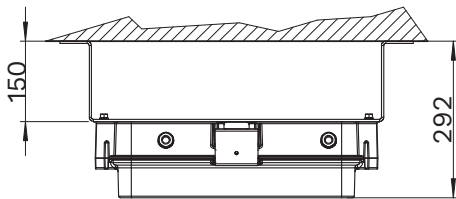


Schröder

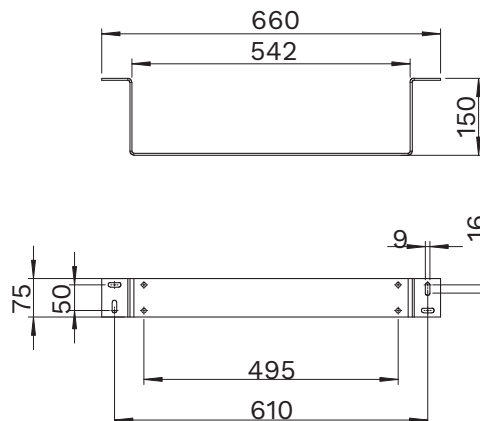
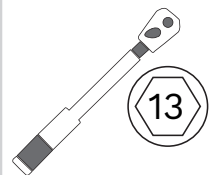
FIX BRACKET FOR SURFACE MOUNT



Code W2



① material: standard or stainless steel (SS)



⚠ only for stainless steel

