

Schréder CONTILED

ENG	INSTALLATION INSTRUCTIONS	ITA	ISTRUZIONI DI INSTALLAZIONE	NLD	INSTALLATIE INSTRUCTIES	DAN	INSTALLATIONSVEJLEDNING	HUN	TELEPÍTÉSI ÚTMUTATÓ
DEU	INSTALLATIONSANLEITUNG	POL	INSTRUKCJE MONTAŻU	RUS	Инструкции по установке	RON	INSTRUCȚIUNI DE INSTALARE	CHI	安装说明
FRA	INSTRUCTIONS DE MONTAGE	SPA	INSTRUCCIONES DE INSTALACIÓN	POR	INSTRUÇÕES DE INSTALAÇÃO	SWE	INSTALLATIONSANVISNING	UKR	Інструкції з монтажу
SRP	UPUTSTVA ZA INSTALACIJU	AR	تعليمات التركيب						



UL 1598
CSA C22.2
No. 250.0



IEC
EN60598

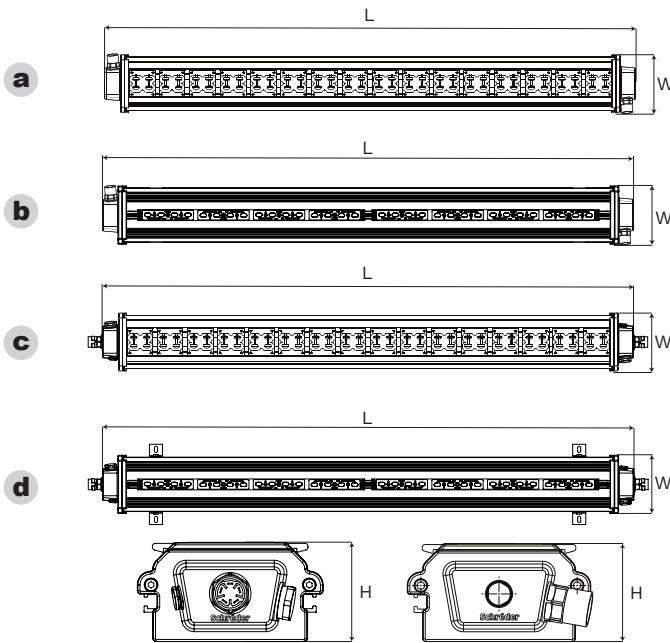


4-12m

120-277V
220-240V
347V

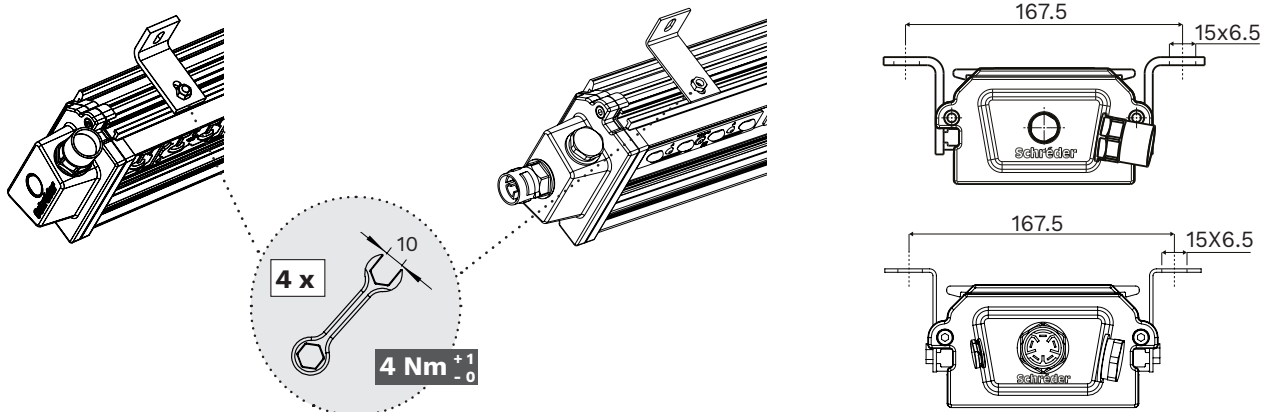
IP
66

IK
08

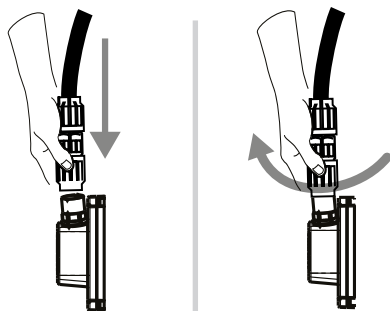


	CONTILED 1	CONTILED 2
L	618 mm	1218 mm
W	133 mm	133 mm
H	71 mm	71 mm
kg	4.15 kg	7.15 kg

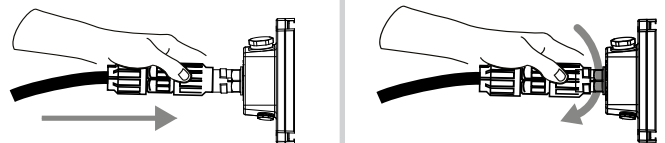
A



1



2



SYSTEM CABELING

GEAR CABINET/
OMNIBOX



INTERNAL SHUNT

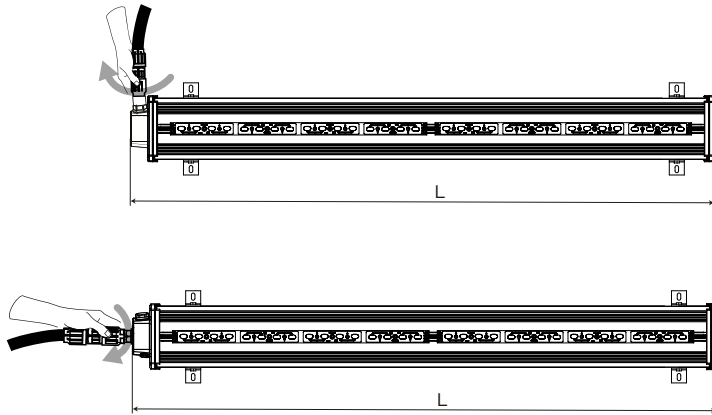
GEAR CABINET/
OMNIBOX



EXTERNAL SHUNT

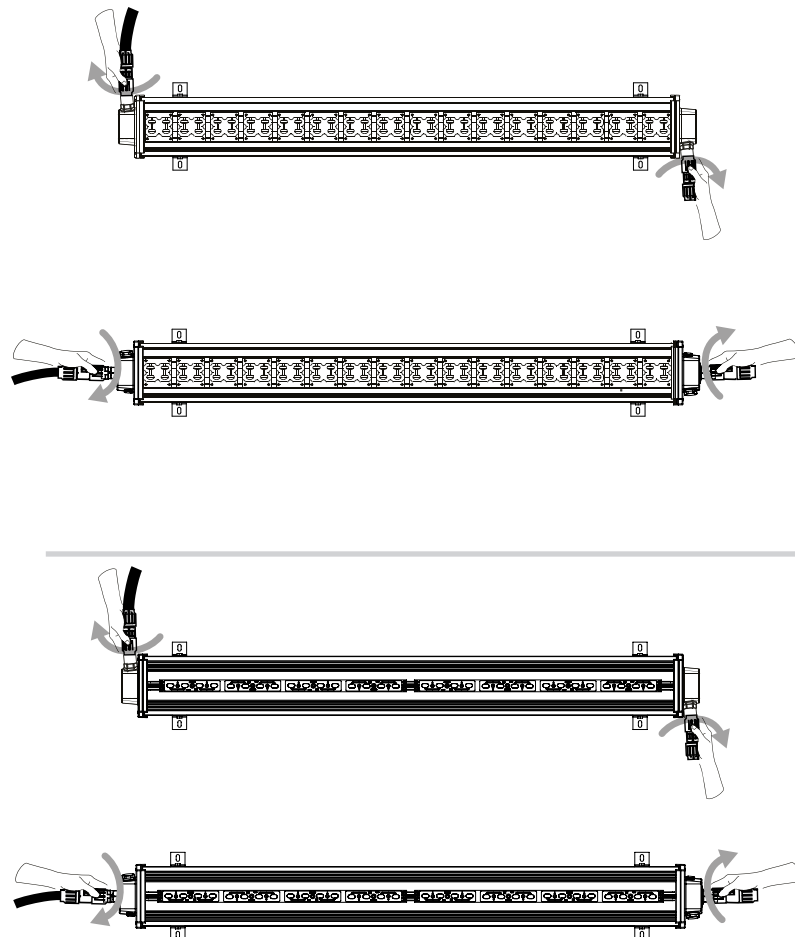
END OF CHAIN

INTERNAL SHUNT

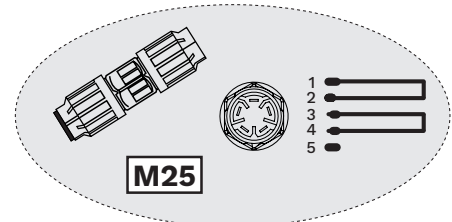


	CONTILED 1	CONTILED 2
L	583 mm	1183 mm

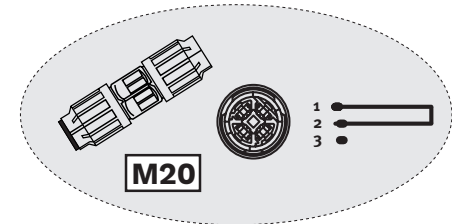
EXTERNAL SHUNT



5 POLE
double circuit



3 POLE
single circuit



5 POLE
double circuit

